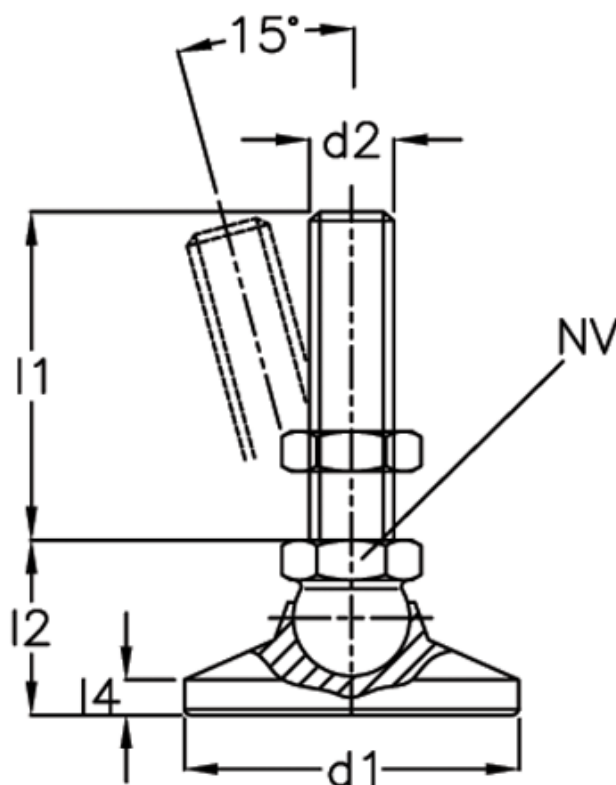


Article number: 20343232M1050KS  
Description: E+G Levelling foot  
GN 343.2-32-M10-50-KS  
Note: 0

## Measures



d1 = 32  
d2 = M10  
l1 = 50  
l2 = -  
l3 = 24.5  
l4 = -  
l5 = 6.5  
NV = 15

Static load = 23  
Weight in (g) = 106